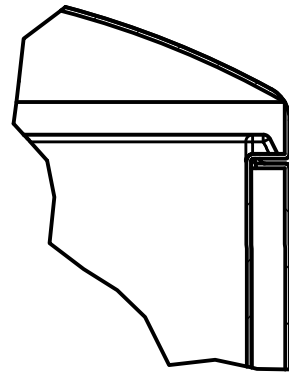
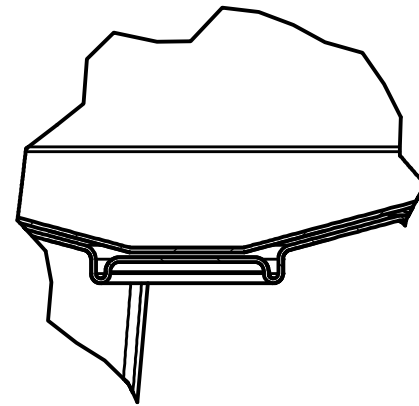


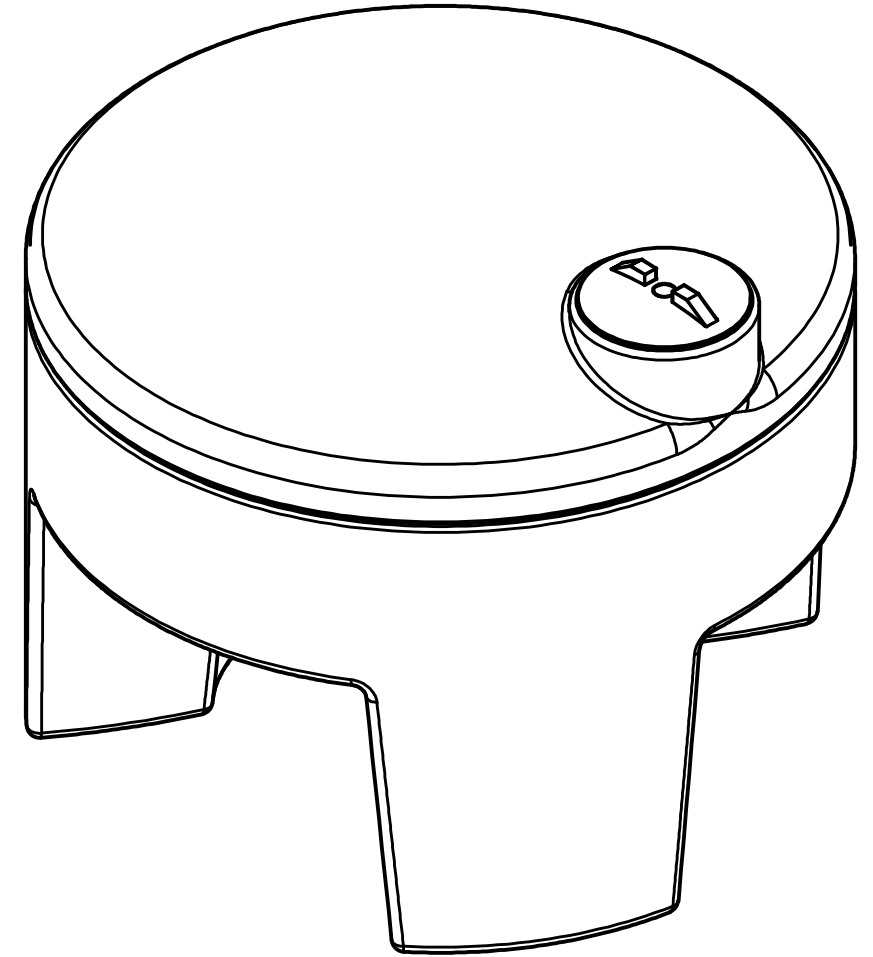
SECTION A-A
SCALE 0.06 : 1




DETAIL B
SCALE 1 / 10



DETAIL C
SCALE 1 / 10



DRAWN Todd Bolzer	8/22/2014			
CHECKED		NORWESCO, INC., ST. BONIFACIUS, MN		
QA		TITLE		
MFG		125 Gallon 15 Degree Cone Tank with Containment		
APPROVED		SIZE	DWG NO	REV
		B	43161	C
		SCALE: 1/16	SHEET 1 OF 1	